



Hitachi Type Starter Motor



High Torque Starter Motors have 1.4 kw crank power, units include housing.



Hitachi Type High Torque Starter Motor features 1.4 kw design that generates more power and shaft speed than original type .8 kw starter.

- 32-5122 Black
- 32-5123 Chrome



Hitachi Type Starter Motors are replicas for 1974-88 FXE, 1982-84 FL, 1983-88 FXR-FLT and 1984-88 FXST. Parts interchange with original, 5" overall body length.

- | VT No. | OEM | Item |
|---------|----------|--------------------|
| 32-7760 | 31570-73 | Complete, Black |
| 32-7761 | 31570-73 | Complete, Chrome |
| 32-0306 | 31580-73 | Armature |
| 32-0307 | 31582-73 | Brush Set |
| 32-0308 | 31579-73 | Field Coils |
| 32-0059 | 31576-73 | Thru Bolts |
| 12-0347 | 31583-73 | Bearing, Drive End |
| 32-0309 | | Com. End, Bushing |

VT No. Fits

32-0097 1980-85 FLT-FXR with rear chain
32-0098 1986-88 FXST

Springs for Hitachi Starter Motors. Replace 31600-90. 1990-up starter clutch assembly.

VT No. 13-9220

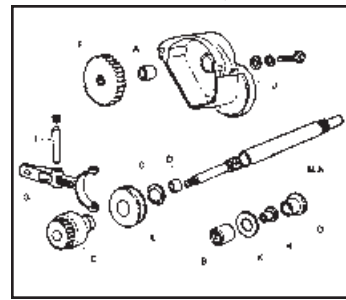
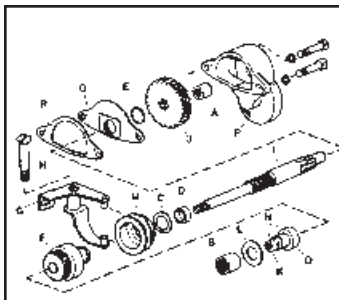


Hitachi Starter Hardware Kit includes brushes, holder, springs, thru bolts and insulator commutator end bushing for 1973-88 Big Twin.
VT No. 32-0553

Starter Motor Housing, Shafts and Gears

1984-85 FXST

1984-88 FLT, 84-88 FXR, 1986-88 FXST



Starter Related Hardware.

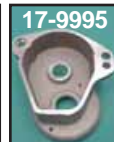
- | VT No. | OEM | # | Item |
|---------|-----------|---|-----------------------------------|
| 43-9160 | Kit | | Complete |
| 12-0317 | 9062 | A | 1984-85 Housing Needle Bearing |
| 12-0318 | 9063 | B | Cover, Needle Bearing |
| 12-0934 | 11039 | C | 1984-88 Retaining Ring Collar |
| 17-0088 | 11041 | D | 1984-85 Starter Shaft Spacer |
| 14-0501 | 11101 | E | 1984-85 O-Ring Deflector Plate |
| 32-0639 | 31443-65A | F | 1984-88 Starter Drive Gear |
| 17-1507 | 31445-65 | G | 1984-E85 Shift Lever Starter Gear |
| 17-1510 | 31445-85 | G | L1985 Shift Lever Starter Gear |
| 17-1506 | 31478-65A | H | 1984-85 Pivot Bolt Shifter Lever |
| 17-0085 | 31482-70 | I | 1984-85 Starter Shaft |
| 17-1508 | 31485-65 | J | 1984-85 Gear Starter Shaft |
| 17-0081 | 31485-65 | K | 1984-85 Nut Starter Shaft |
| 17-1504 | 31502-65 | L | 1984-88 Thrustwasher Chain Cvr |
| 17-1505 | 31503-70 | M | 1984-85 Shifter Collar |
| 17-1502 | 31503-65 | M | 1965-69 Shifter Collar |
| 17-0084 | 31530-65A | N | 1984-85 Nut & Spacer Str Shaft |
| 17-9936 | 31531-69 | O | 1984-85 Spacer Starter Shaft |
| 43-9122 | 31572-79 | P | 1984-85 Housing |
| 17-0509 | 60516-65A | Q | 1984-85 Deflector Plate |
| 15-1064 | 60559-80 | R | 1984-85 Plate Gasket |



Starter Related Hardware. Kits includes A, B, C, D, E, G, H, I, K, L, and M.

- | VT No. | OEM | Item |
|----------|-----------|----------------------------------|
| 43-9161 | Kit | FXST 1986-88 |
| 43-9166* | Kit | FXST 1985-88 |
| 12-0317 | 9062 | A Housing Needle Bearing |
| 12-0318 | 9063 | B Cover Needle Bearing |
| 12-0934 | 11039 | C Retaining Ring, Collar |
| 32-0638 | 31443-65A | E Bendix Drive |
| 17-1508 | 31485-65 | F Gear 1980-85 |
| 17-9938 | 31340-80 | F Gear 1985-88 |
| 17-9986 | 31491-79 | G Shift Lever, Starter FLT-FXR |
| 17-9773 | 31300-84 | G Shift Lever, Starter FXST |
| 17-0081 | 31493-67 | H Nut for Shaft |
| 17-9987 | 31495-79 | I Pivot Pin FLT-FXR |
| 17-9875 | 31473-86 | I Pivot Pin FXST |
| 17-9990 | 31497-83 | J Housing, 1983-85 FLT/FXR |
| 17-9995 | 31572-86 | J Housing, 1986-88 FLT/FXR |
| 17-1504 | 31502-65 | K Thrust Washer |
| 17-1502 | 31503-65 | L Shift Collar |
| 17-9983 | 33120-79 | M Starter Shaft, 1980-85 FLT-FXR |
| 17-9944 | 33120-85 | M Starter Shaft, 1985-88 FLT-FXR |
| 17-9939 | 31482-86 | M Starter Shaft, FXST |
| 17-9984 | 33121-79 | O Spacer, Shaft, FLT-FXR |
| 17-9985 | 31311-80 | O Spacer FXST |

*Note: Order appropriate housing to complete assembly.



FLT/FXR Starter Housings.

- Order bearing separately.
- | VT No. | Year |
|---------|-----------|
| 17-9990 | 1983-85 |
| 17-9995 | 1986-88 |
| 17-9988 | 1980 only |