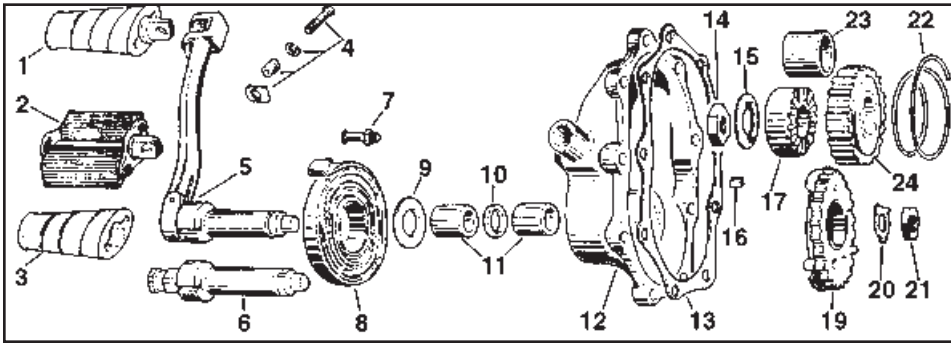




Kicker Parts for 4-Speed BT



74" & 80" Kicker Parts listed below will fit 1936-84 3 and 4 Speed models.

VT No.	#	OEM	Item
17-0301	1	33175-16B	Kicker Pedal
17-0300	2	33175-16	Bicycle Pedal
28-0213	3	33182-63A	Kicker Rubber
17-0306	4	33213-31	Pin Kit
17-0095	5	33068-54	Early Kick Arm
17-0312	6	33096-54A	Kicker Shaft
8120-3	7	33090-36	Spring Stud
13-0123	8	33085-36	Kicker Spring
17-0413	9	33080-36	Thrust Washer
14-0115	10	33076-37	Kick Seal
10-0720	11	33288-37	Bushing Kit
43-0100	12	33277-36A	Kick Cover
15-0158	13	33295-36	Kick Gasket
12-0500	14	7977	Mainshaft Nut
17-0903	15	33396-39	Mainshaft Lock
12-0206	16	33393-50	Key
17-0403	17	33381-39	Kick Clutch Gear 1939-74
17-0416	17	33560-75	Kick Clutch Gear 1975-85
17-0400	19	33350-36	Crank Gear
17-0334	19	33350-36	Crank Gear, Sifton
17-0902	20	33082-16	Kick Shaft Lock
12-0527	21	7911	Kick Shaft Nut
13-0128	22	33391-36	Ratchet Spring
10-0721	23	33438-50	Gear Bushing
10-2486	23	As Above	.005 O/S
17-0401	24	33430-50	Starter Gear, 16 Tooth
17-0402	24	33430-59	Starter Gear, 14 Tooth



Big Twin Small Parts Only Kicker Kit contains parts as pictured, 16 tooth ratchet gear set, 24T crank gear, kicker shaft, ratchet spring, lock tabs, nuts and key.

VT No. 17-0412



Sifton Kick Gear/Shaft Assembly includes large gear, corresponding shaft, nut, lock tab and thrust-washer.

VT No. 17-0335



Complete Kickstarter Ratchet Gear Kit contains ratchet gear, clutch gear, spring and key way. Available with 16 or 14 tooth starter gear. Used on all 1936-85 4 Speed Big Twin.

VT No.	Type
17-0404	16 Tooth Kit
17-0405	14 Tooth Kit



Big Twin Kicker Shaft replaces 33096-54A. Fits 1936-84 BT.

VT No.	Type
17-0312	V-Twin™
17-0317	Jims
17-0324	Sifton



Longer Kickstart Shaft fits 1937-84 Big Twin 4-speeds, eliminates the use of fold out kicker arm, the stroker I-Beam

or other offset arms may be fitted.

VT No.	Brand
17-9145	Jims
17-0591	Sifton



Bumper Plate, Kickstarter.
VT No. OEM Fits
17-0407 33353-36 All 1941-75 BT
17-0408 33353-78 1978-up BT, 4 Spd.



Kicker Bumper Plate Screws replace 1864B. Used on all 1936-85 Big Twins.
VT No. 17-0411



Oil Deflector Mainshaft Starter Gear replaces 33429-39, fits all 1941-79 Big Twins. 33429-80 fits 1980-84 Big Twins.

VT No.	OEM	Fits	Item
17-0409	33429-39	1941-79 BT	Deflector
17-0410	33429-80	1980-up BT, 4 Speed	Deflector
37-9134	2333W	1941-79	Screw
37-9173	3789A	1980-84	Screw