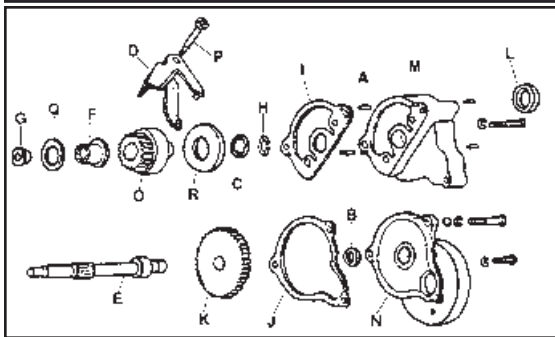




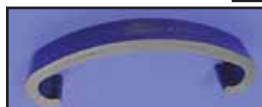
Starter Housing

1982-84 FLH Classic
1980-84 FXSB



Starter Shaft Related for 1982-84 FLH classic, 1980-84 FXSB with Hitachi Starter.

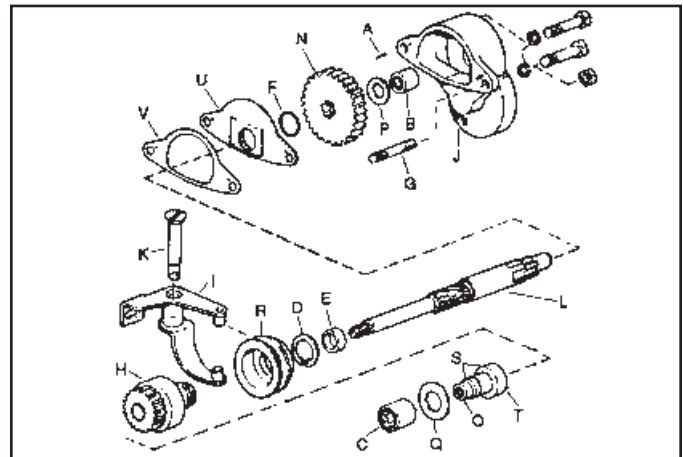
VT No.	#	OEM	Item
43-9153	A-R	Kit	1980-84 FXSB 1982-84 FLH
12-1174	A	334A	Roll Pin
12-0317	B	9062	Housing Needle Bearing
12-0934	C	11039	Retaining Ring
17-9991	D	31300-80A	Shift Lever
17-0019	E	31310-80A	Starter Shaft
17-9985	F	31311-80	Spacer, Shaft
12-0569	G	31312-80	Shaft Nut
12-9916	H	31313-80	Retaining Ring
15-0655	I	31320-80	Housing Gasket
15-0656	J	31321-80	Cover Gasket
17-9938	K	31340-80	Shaft Gear
14-0156	L	31341-80	Oil Shaft
17-9992	M	31387-80	Housing, 1982-84 Classic
17-9993	N	31397-80	Housing Cover
32-0639	O	31443-65A	Bendix Drive
17-1506	P	31478-65A	Pivot Bolt
17-1504	Q	31502-65	Thrust Washer
17-1502	R	31503-65	Shift Collar



Primary Case Saver protects inner case and starter housing area which is damaged by drive chain. Reinforced nylon.

VT No. 19-0415

1965-84 FLH-FXE 4-Speed



Starter Shaft Related Parts fit 1965-84 FX-FLH 4 Speed model. Starter housing fits chain drive models only.

VT No.	#	OEM	Description
43-9150	Kit		1965-69 Prestolite
43-9151	Kit		1970-84 Prestolite
43-9152	Kit		1970-84 Hitachi
12-1174	A	334	Roll Pin
12-0317	B	9062	Housing needle bearing
12-0318	C	9063	Cover needle bearing
12-0934	D	11039	Collar retainer ring
17-0088	E	11041	Shaft spacer
14-0501	F	11101	O-Ring deflector plate
12-2111	G	24811-59A	Housing Stud
32-0638	H	31443-65A	Accel Starter Drive
17-1507	I	31445-65	Gear Lever
43-9120	J	31465-65	Housing 1965-E79 FL Prestolite 1971-72 FX
43-9121	J	31572-73	1973-79 FXE Hitachi
43-9122	J	31572-79	1979-up FX Hitachi, 80-83 FLH
43-9123	J	31465-79	L1979-84 FLH Prestolite
17-1506	K	31478-65A	Pivot Lever Bolt
17-1511	K	31478-65A	Pivot Lever Bolt, Chrome
17-9900	L	31482-65	Starter Shaft, 1965-69
17-0085	L	31482-70	Starter Shaft, 1970-84
17-1508	N	31485-65	Gear, Starter Shaft
17-0081	O	31493-67	Nut, Starter Shaft
17-1503	P	31501-65	Housing Thrustwasher, 65-69
17-1504	Q	31502-65	Thrustwasher outer cover
17-1502	R	31503-65	Shifter Collar 1965-69
17-1505	R	31503-70	Shifter Collar 1970-84
17-0084	S	31530-65A	Nut & Spacer L.H. 1965-84
17-9936	T	31531-69	Spacer 1965-82
17-0509	U	60516-65A	Oil Deflector Plate
15-1064	V	60559-80	Gasket plate
17-0237	Kit		P, C, L, R, D, E, Q, G, S; 1965-69
17-0238	Kit		P, C, L, R, D, E, Q, G, S; 1970-84